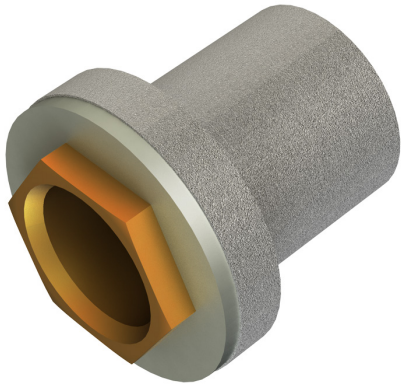


**PRODUCT CODE: FCS2G**  
FLANGED COUPLER



**DESCRIPTION**

25mm Flanged Coupler

**FINISH**

Hot Dipped Galvanised

**MATERIAL**

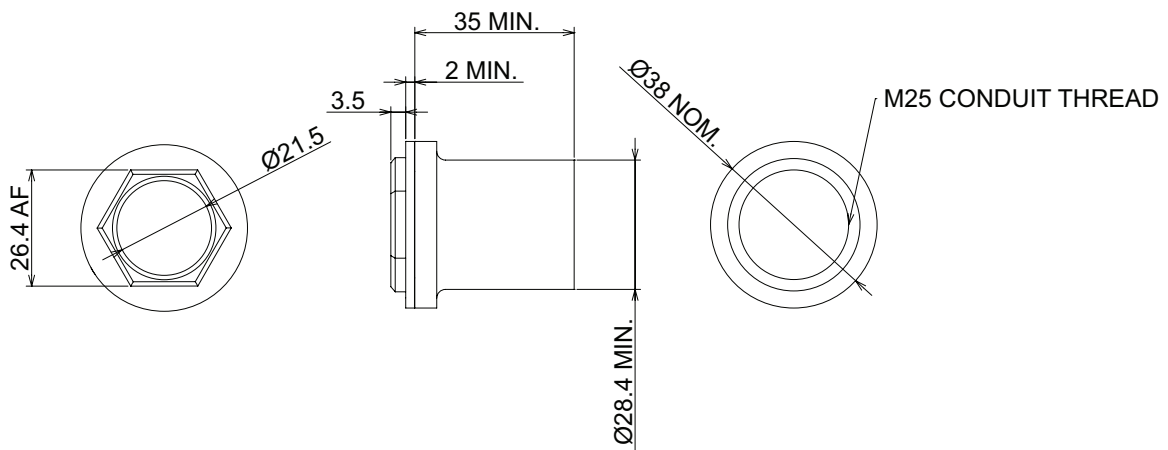
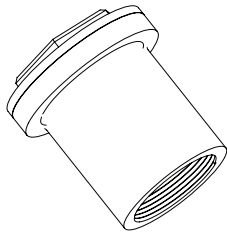
Body: Steel / Lead Washer / Brass Bush

**PACKAGING**

Packed in qty 25

**ADDITIONAL NOTES**

Conforms to BS EN61386-1  
Compliant to LU Standard 1-085 (for use on surface & sub-surface locations)  
Comprises; flange body, lead washer and male brass bush



Values are nominal and with a general tolerance  $\pm 5\%$  unless otherwise specified